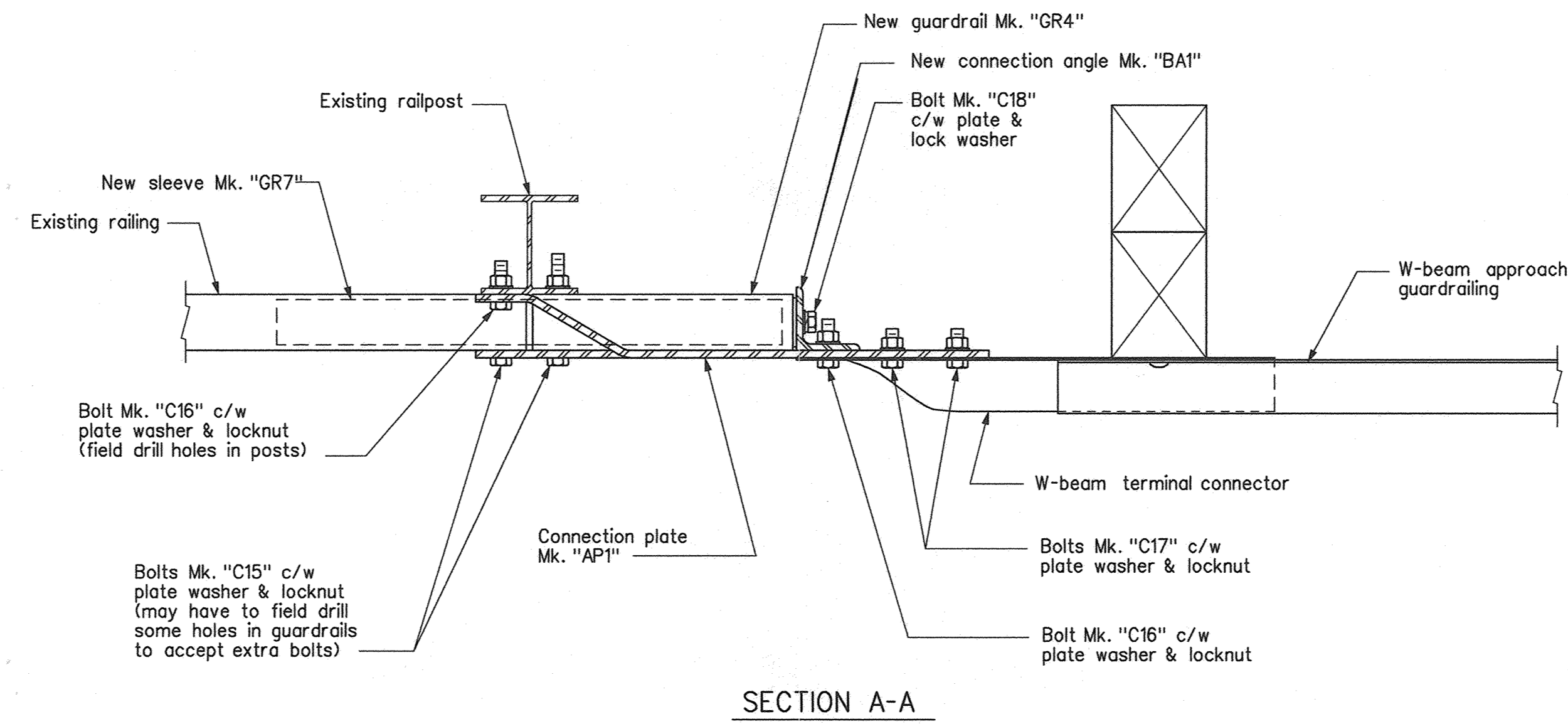
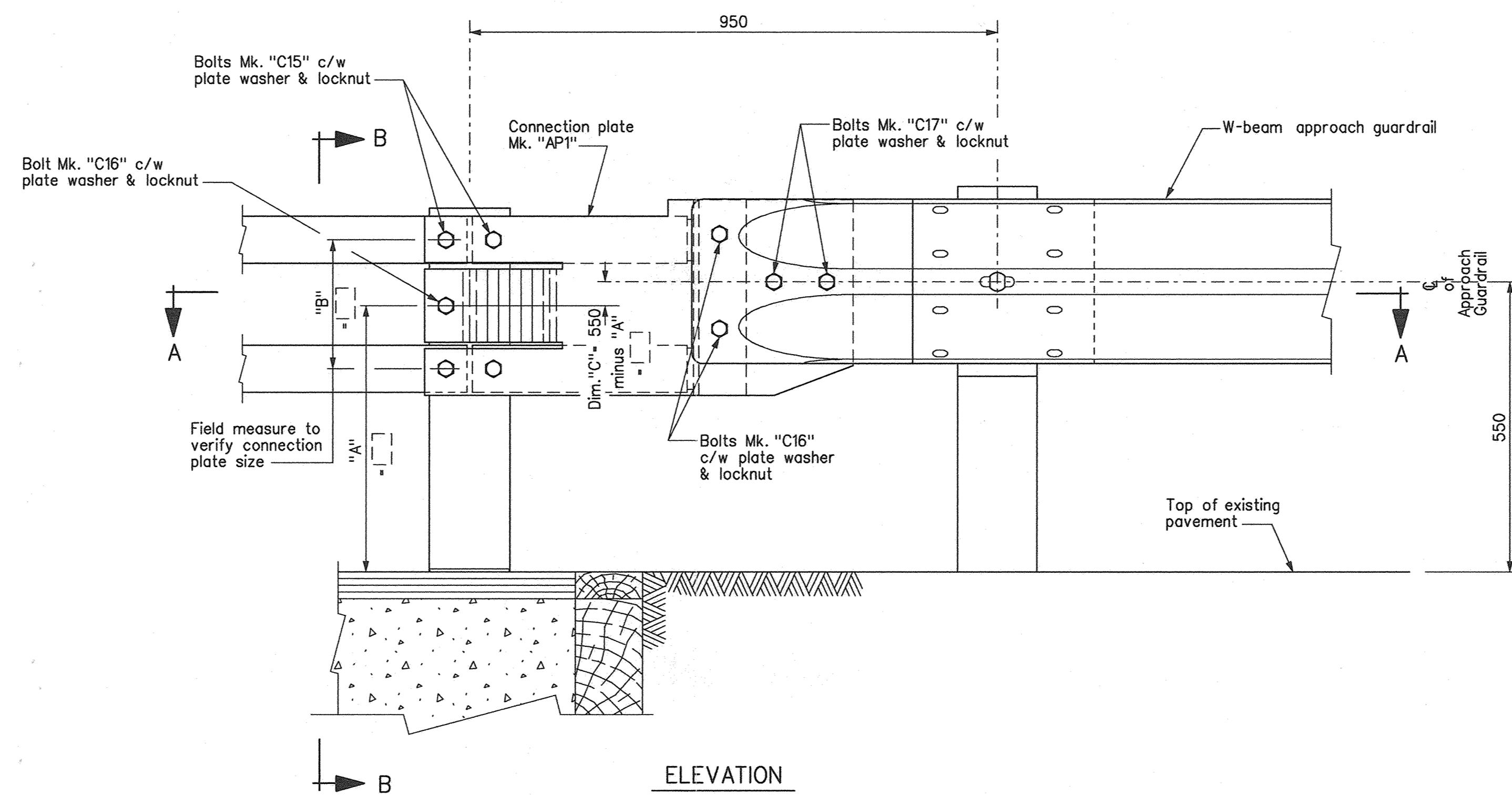


ELEVATION OF EXISTING RAIL END

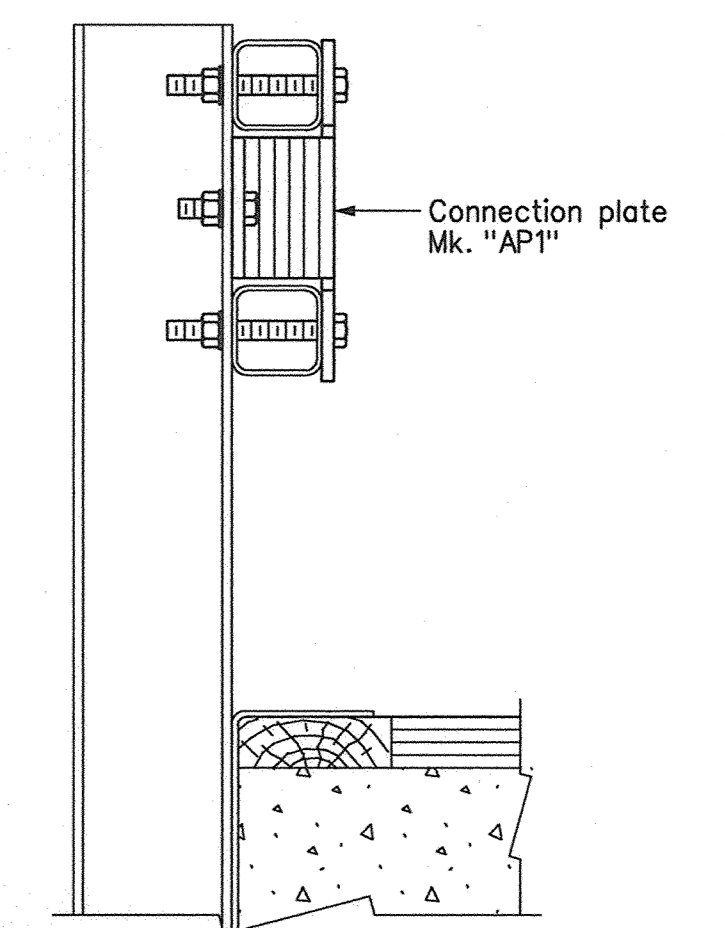
Showing existing HSS 88.9 x 88.9 x 4.78 railing.



SECTION A-A



ELEVATION



SECTION B-B

PROPOSED APPROACH GUARDRAIL ATTACHMENT TO MODIFIED EXISTING BRIDGE RAIL END

NOTES:

1. After modifications to existing bridge rail ends, standard approach guardrail details can be used
2. Dimensions shown thus: \square to be filled in using field measurements.

NOTE: Original drawing sealed by J. Lukashenko P.Eng., Feb.23, 2000. It is filed in the Bridges and Structures Branch.

REVISIONS	
NO.	DESCRIPTION

**CONNECTION PLATE DETAILS
W-BEAM TO 2 RAIL TL-2 RAILING**

DATE	BY	DESCRIPTION	Manitoba Highways and Government Services Bridges and Structures Branch	RELEASED FOR CONSTRUCTION BY:
		TSTB10		Original signed by Greg Hamilton Feb.23, 2000
DESIGN	BY: J.L.	CHECKED: _____	DIRECTOR OF BRIDGES AND STRUCTURES	DATE
DETAILS	BY: E.F.	CHECKED: J.L.		SCALE: 1:7.5
				SITE No.