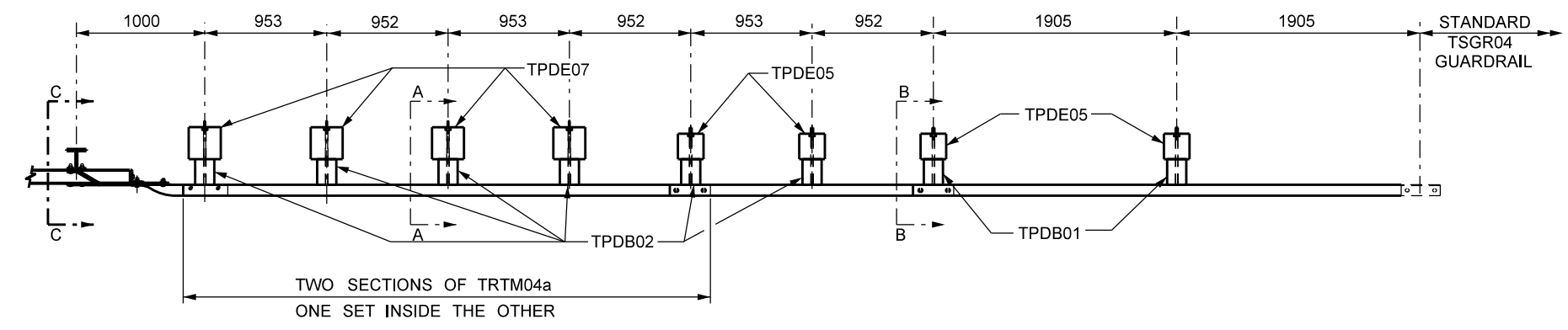
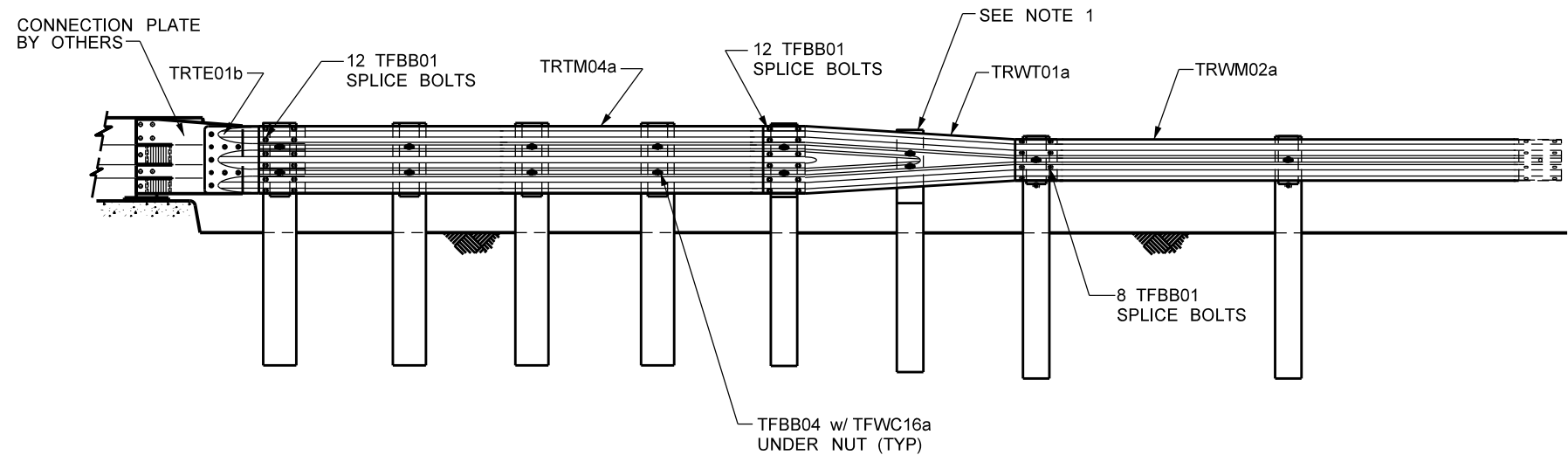


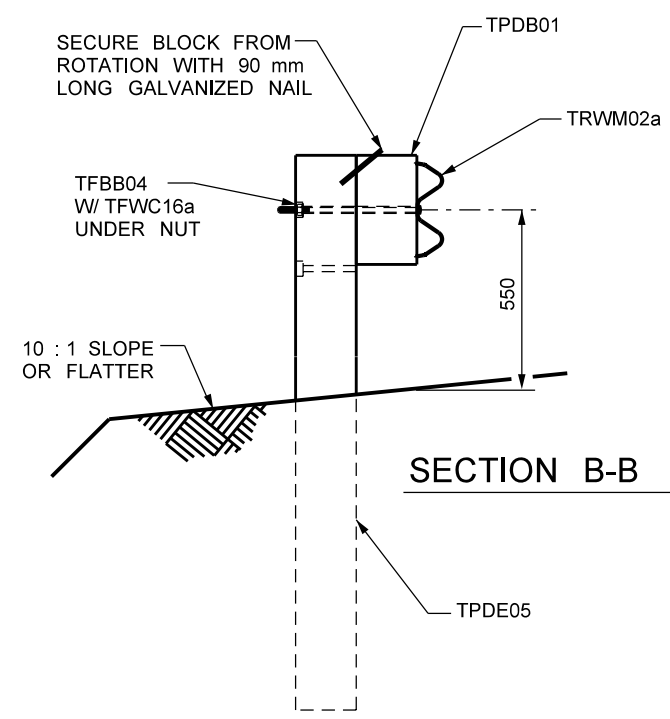
SECTION A-A 1:25



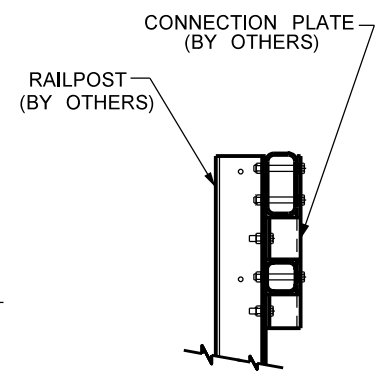
PLAN 1:50



ELEVATION 1:50



SECTION B-B 1:25



SECTION C-C 1:25

NOTES:

1. BLOCKOUT TO BE NAILED TO POST USING 90mm NAIL TO PREVENT BLOCK ROTATION
2. ALL SCALES ARE APPROXIMATE

NOTE: Original structural drawing sealed by J. Lukashenko P.Eng., Feb.23, 2000. It is filed in the Bridges and Structures Branch.

REVISIONS		
DATE	DESCRIPTION	BY

Manitoba
Infrastructure and
Transportation
TRAFFIC ENGINEERING



NESTED THRIE BEAM TO
2 RAIL PL - 2 BRIDGE

SHEET NO	1 OF 1
DATE:	2002 - 09
DRAWN:	D.C.

TSTB11