

NOTE: ALL SCALES ARE APPROXIMATE

REVISIONS		
DATE	DESCRIPTION	BY
2003-08	TEXT ADDED	HPL
2005-04	LAYOUT ALTERED	HPL
2011-04	ANCHOR REVISED	DC

**Manitoba** Infrastructure and Transportation  
TRAFFIC ENGINEERING

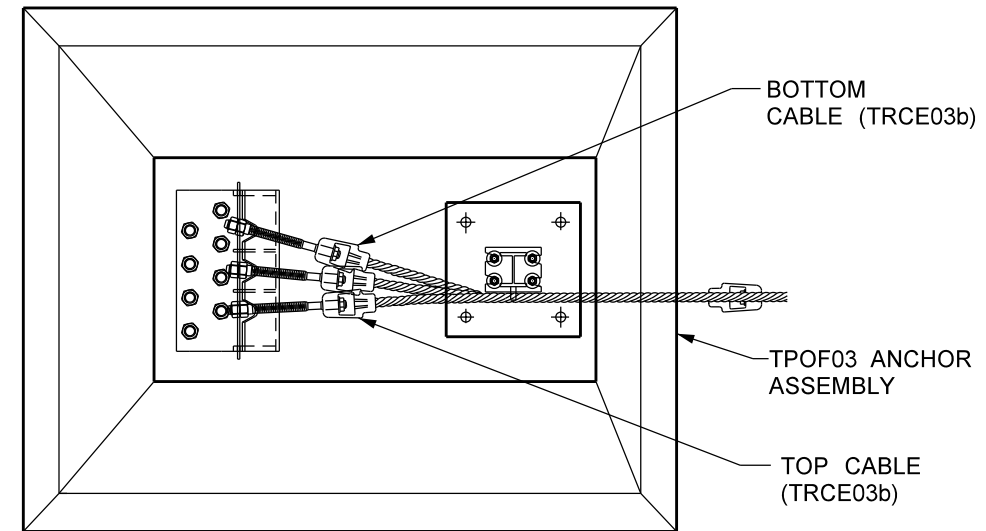


CABLE GUARDRAIL ANCHOR

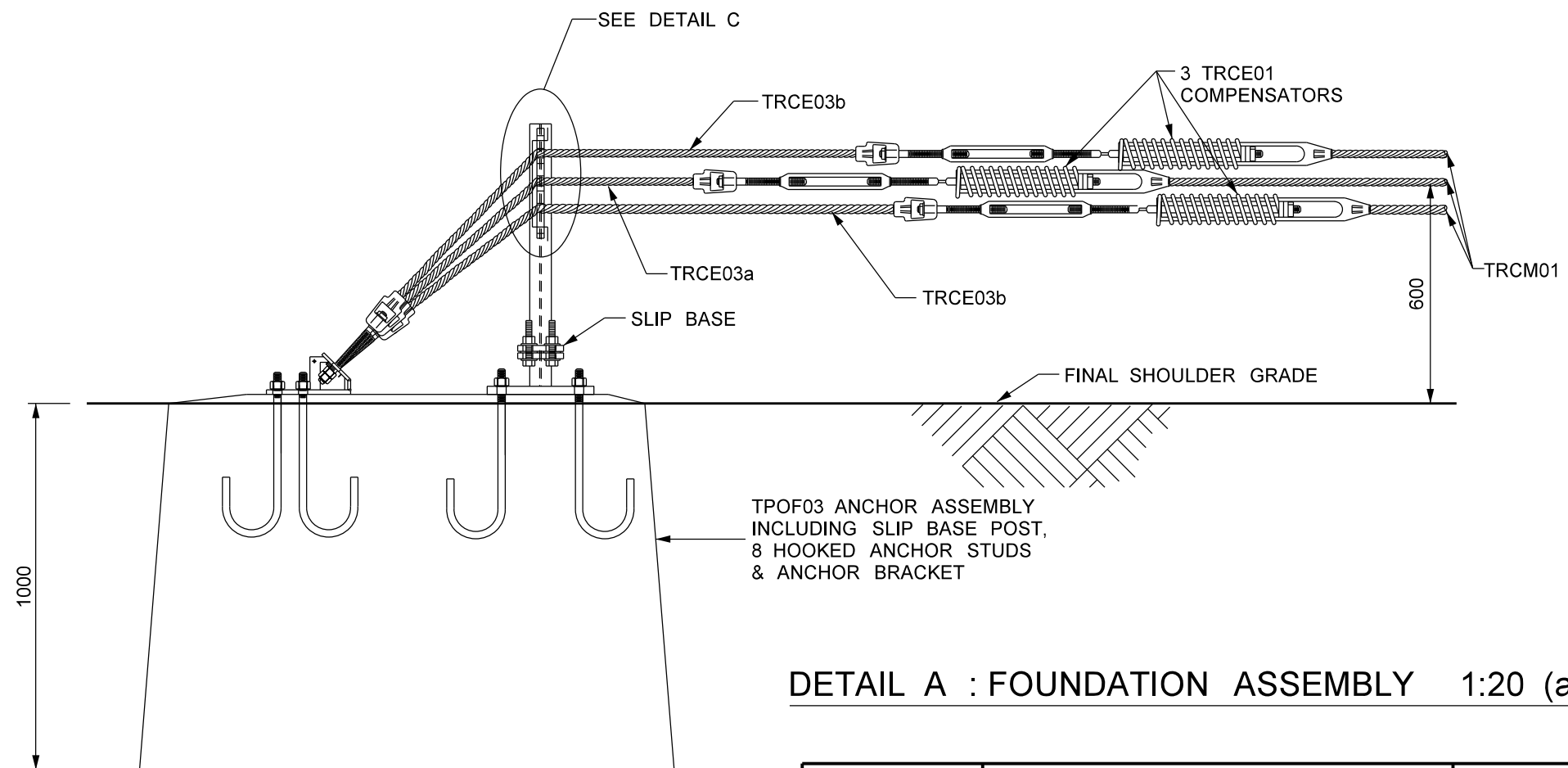
SHEET NO	1 OF 3
DATE:	2002 - 09
DRAWN:	D.C.

TSEC01

SPRING COMPRESSION CHART													
Use the following table to tension the turnbuckles in the compensating devices, based on the temperature at the time of the adjustment:													
TEMPERATURE (°C)													
50	42	37	31	26	20	15	9	4	-2	-8	-13	-19	-24
to	to	to	to	to	to	to	to	to	to	to	to	to	to
43	38	32	27	21	16	10	5	-1	-7	-12	-18	-23	-29
Total compression of 2 springs for each cable from unloaded position (mm)													
50	64	76	90	100	114	128	140	150	166	178	190	200	216
Note: The compression of the springs does not have to be equal at each end of a cable. (ie. if a total compression requires 100 mm then, 60 at one end and 40 at the other end will be satisfactory, as the total equals 100)													




FOUNDATION PLAN 1:20



DETAIL A : FOUNDATION ASSEMBLY 1:20 (approx.)

NOTE: ALL SCALES ARE APPROXIMATE

REVISIONS		
DATE	DESCRIPTION	BY
2011-04	ANCHOR REVISED	DC

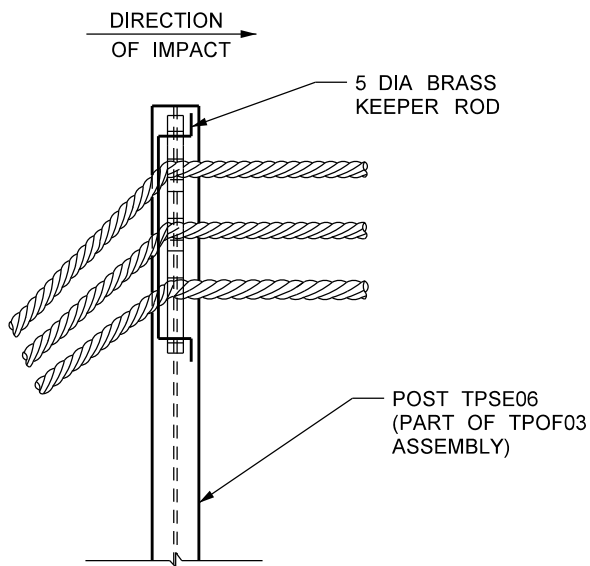
**Manitoba**   
**Infrastructure and Transportation**  
 TRAFFIC ENGINEERING



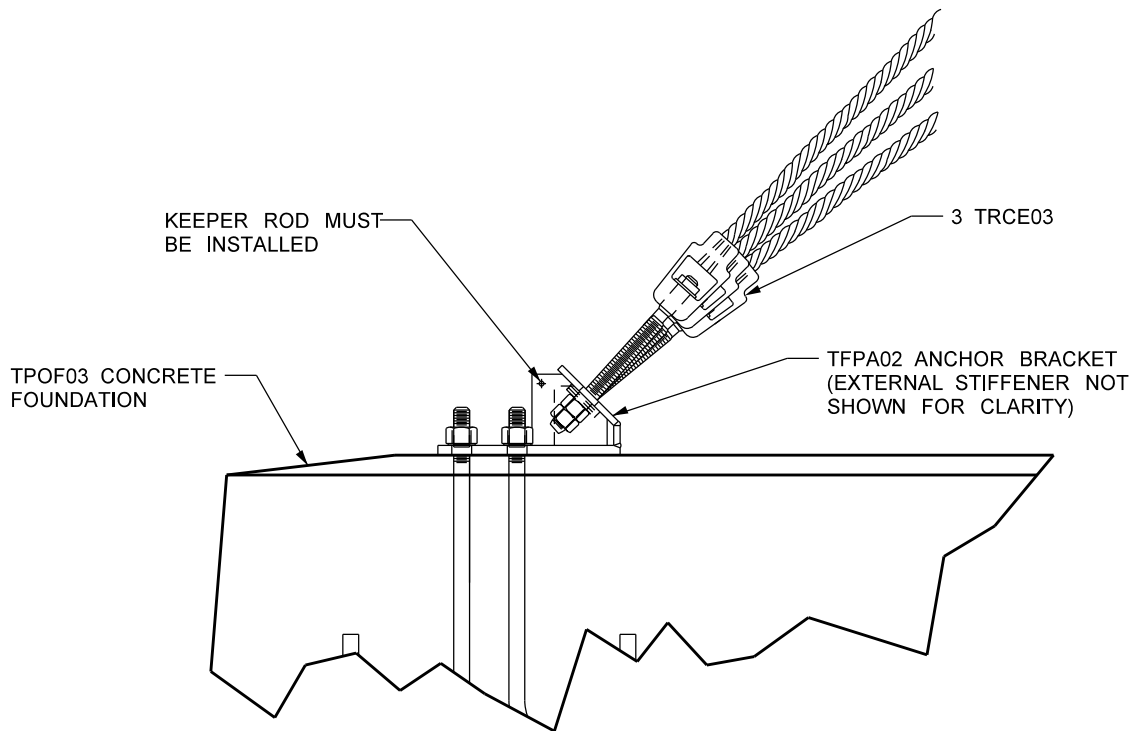
CABLE GUARDRAIL ANCHOR

SHEET NO	2 OF 3
DATE:	2002 - 09
DRAWN:	D.C.

TSEC01



DETAIL C : CABLE CLIPS 1:10



DETAIL B : ANCHOR BRACKET 1:10

NOTE: ALL SCALES ARE APPROXIMATE

REVISIONS		
DATE	DESCRIPTION	BY
2011-04	ANCHOR REVISED	DC

**Manitoba**   
**Infrastructure and Transportation**  
 TRAFFIC ENGINEERING



CABLE GUARDRAIL ANCHOR

SHEET NO	3 OF 3
DATE:	2002 - 09
DRAWN:	D.C.

TSEC01