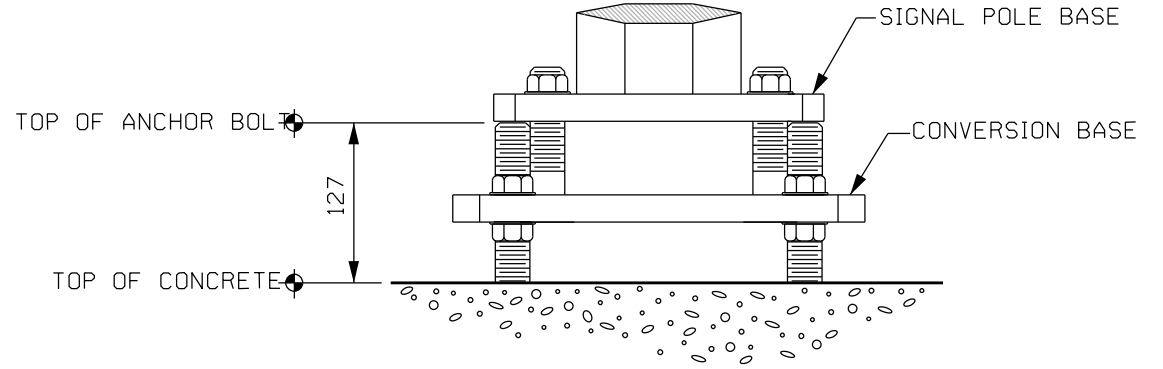
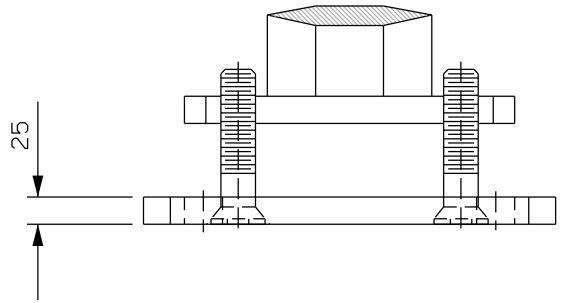
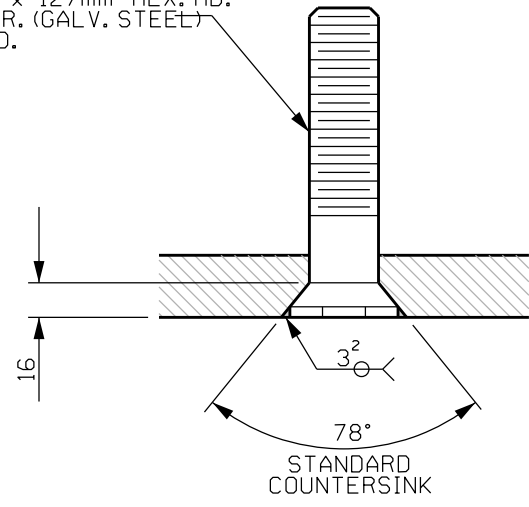


1-8 NC x 127mm HEX. HD.
CAP SCR. (GALV. STEEL)
4 REQ'D.



ALL DIMENSIONS ARE IN MILLIMETERS.

REVISIONS	DATE	DESCRIPTION	BY

Manitoba 
Infrastructure and
Transportation
TRAFFIC ENGINEERING

CONVERSION BASE
270mm to 206mm

ORIGINAL DRAWING
APPROVED BY: _____ TOM McDERMOTT _____

SCALE: N.T.S.
DATE: 10-2004
PREP. BY: D.G.C.

E-022