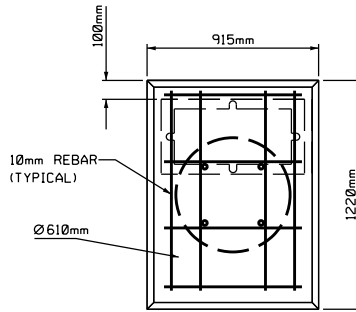
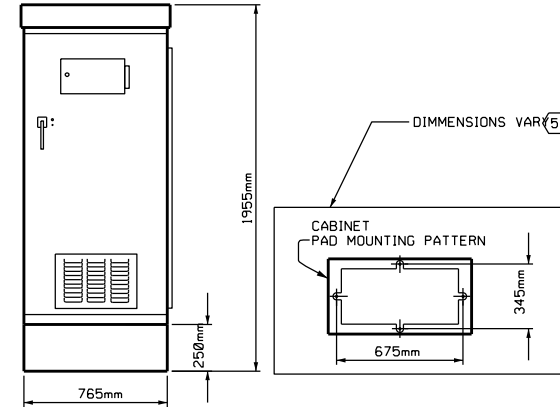


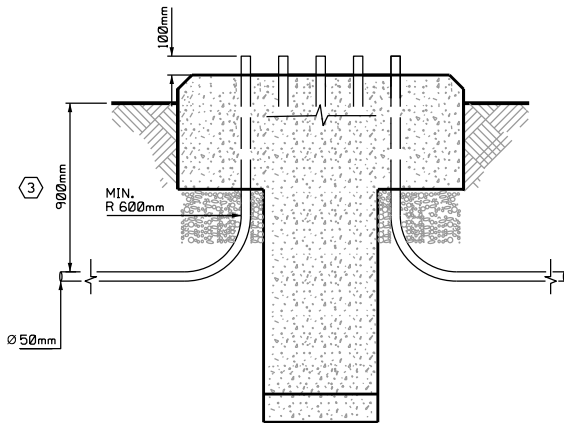
1A TYPICAL CONTROLLER AND POWER PEDESTAL CONDUITS
N.T.S.



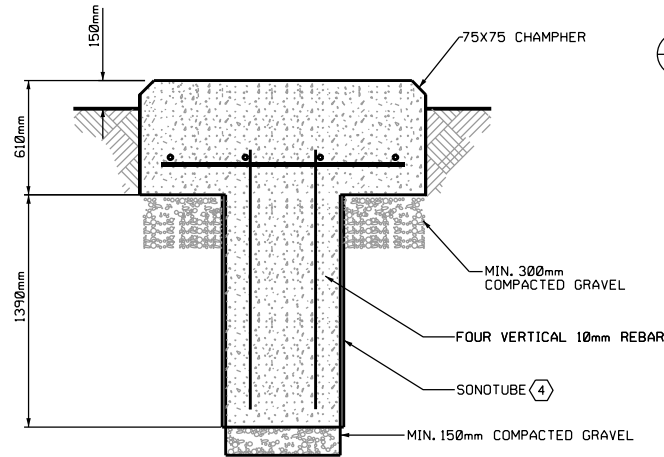
3 PLAN VIEW
N.T.S.



5 (POWER PEDESTAL HAS SIMILAR FOOT PRINT)
TRAFFIC CABINET FRONT VIEW
N.T.S.



2 TYPICAL RACEWAY ELEVATION
N.T.S.



4 FRONT SECTION VIEW
N.T.S.

NOTES:

- ① REFER TO INTERSECTION DRAWING AND TYPICAL INTERSECTION CONDUITS AND CABLING DETAIL E-014d FOR NUMBERS AND ORIENTATION OF RACEWAYS.
- ② THE POWER PEDESTAL AND CONTROLLER BASES WILL TYPICALLY BE COMBINED AND ONLY ONE PILE PROVIDED. REFER TO INTERSECTION DRAWING.
- ③ BURIAL DEPTH OF RACEWAYS LESS THAN 900mm MAY BE PERMITTED WITH ENGINEERS APPROVAL.
- ④ SONOTUBE REQUIRED FOR THE ENTIRE LENGTH OF THE CONCRETE PILE FOUNDATION UNLESS CLEANLY DRILLED.
- ⑤ CONFIRM ACTUAL DIMENSIONS FOR EQUIPMENT TO BE INSTALLED BEFORE LAYING OUT RACEWAYS. DIMENSIONS MAY VARY FROM INDICATED.
- ⑥ ALL DRAWINGS DIMENSIONS IN MILLIMETERS.

CONCRETE NOTES:

- ① REFER TO STANDARD SPECIFICATION FOR CONCRETE.

REVISIONS	DATE	DESCRIPTION



TYPE IV CONTROLLER AND POWER
PEDESTAL BASE WITH WORKING SPACE
ORIGINAL
APPROVED BY: _____

SCALE:	N.T.S.
DATE:	08-2018
PREP. BY:	L.B.
PAGE 1 OF 1	
E-004d	