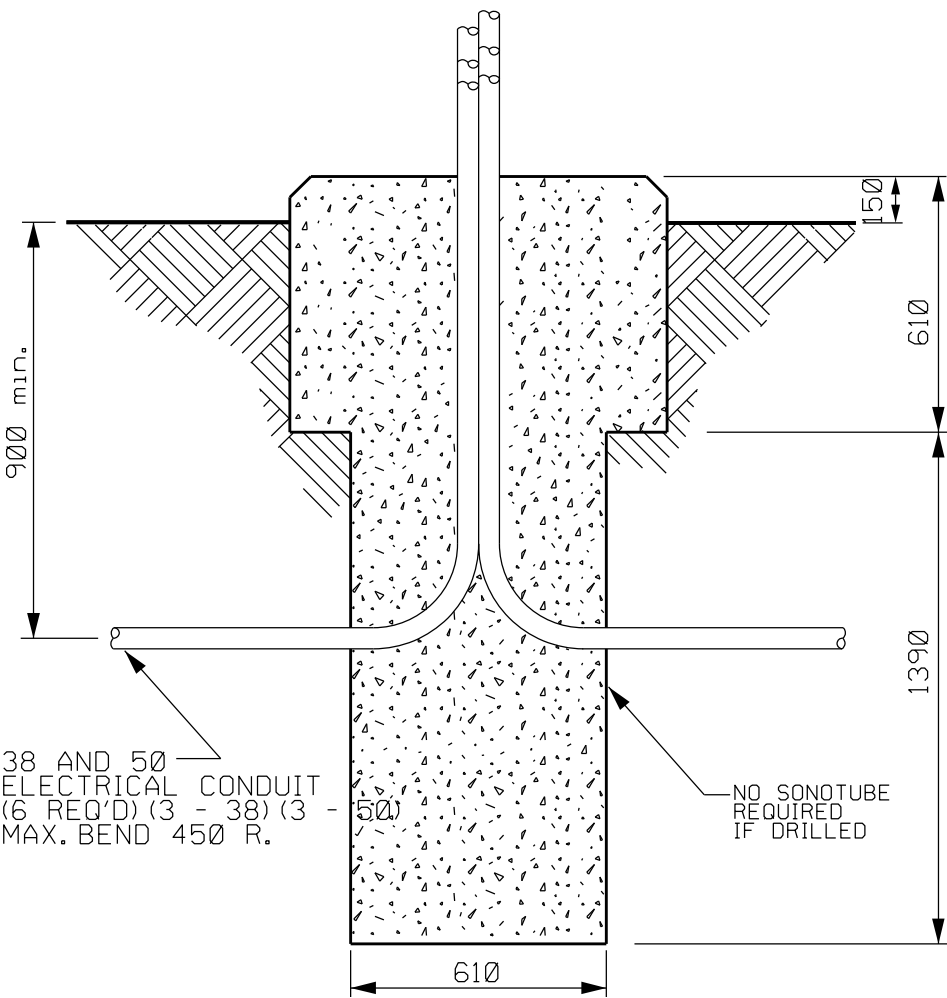


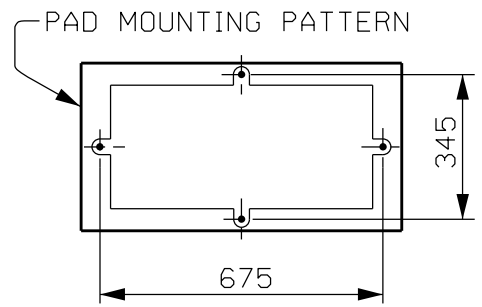
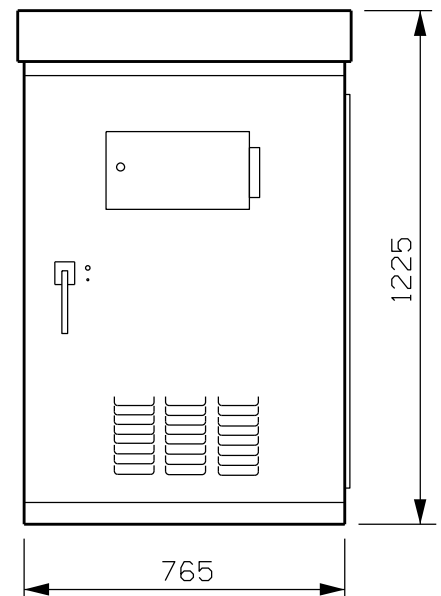
PLAN VIEW



SECTION VIEW

NOTES:


1. CEMENT SHALL BE TYPE 50 (HS or HSb) HIGH SULPHATE RESISTANT HYDRAULIC CEMENT.
2. CONCRETE SHALL HAVE A CLASS 1 FINISH.
3. THE MINIMUM COMPRESSIVE STRENGTH OF CONCRETE SHALL BE 35 MPa AT 56 DAYS.
4. AIR CONTENT OF CONCRETE SHALL BE 4.0 - 7.0%.
5. CONCRETE SLUMP SHALL BE 80 mm (20 mm).
6. MAXIMUM SIZE OF COARSE AGGREGATE 25 mm.
7. CONTROLLER BASE AND GROUND ROD LOCATION SHALL BE MARKED BY THE ENGINEER.
8. APPROXIMATE CONCRETE VOLUME: 1.20 m
9. ALL DRAWING DIMENSIONS IN MILLIMETERS.
10. CONTROLLER BASE INSTALLATION SHALL ALSO INCLUDE 2 SPARE ELECTRICAL CONDUITS (1 - 38 mm) AND (1 - 50 mm).
11. SONOTUBE REQUIRED FOR THE BOTTOM 1390 mm OF THE CONCRETE PILE FOUNDATION.



38 AND 50 ELECTRICAL CONDUIT (6 REQ'D) (3 - 38) (3 - 50) MAX. BEND 450 R.

NO SONOTUBE REQUIRED IF DRILLED

REVISIONS	DATE	DESCRIPTION	BY
	01-91	PAPER ORIGINAL	KGB
	04-09	NOTE REVISIONS	DCG
	11-07	NOTE REVISIONS	DCG
	04-10	NOTE REVISIONS	DCG

**Manitoba**   
 Infrastructure and  
 Transportation  
 TRAFFIC ENGINEERING

TYPE IV CONTROLLER BASE  
 ("M" CONTROLLER CABINET)

APPROVED BY: LUCIEN GAGNON

SCALE: N.T.S.  
 DATE: 05-2004  
 PREP. BY: D.G.C.  
 E-004a