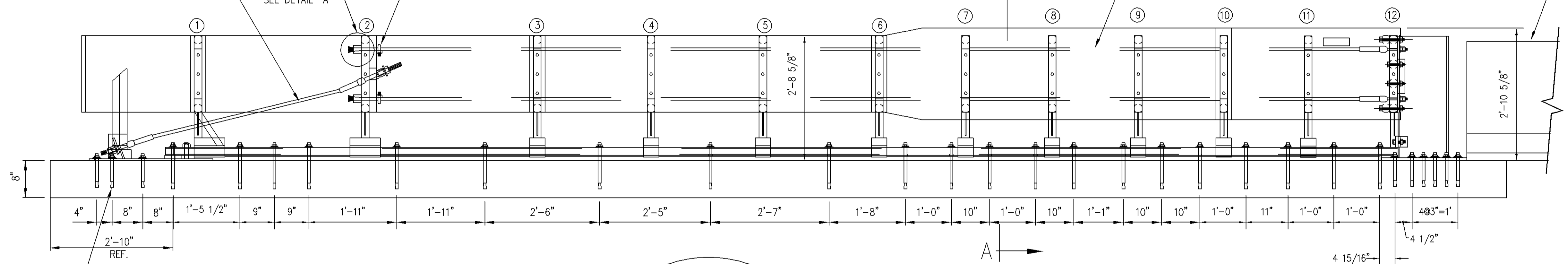


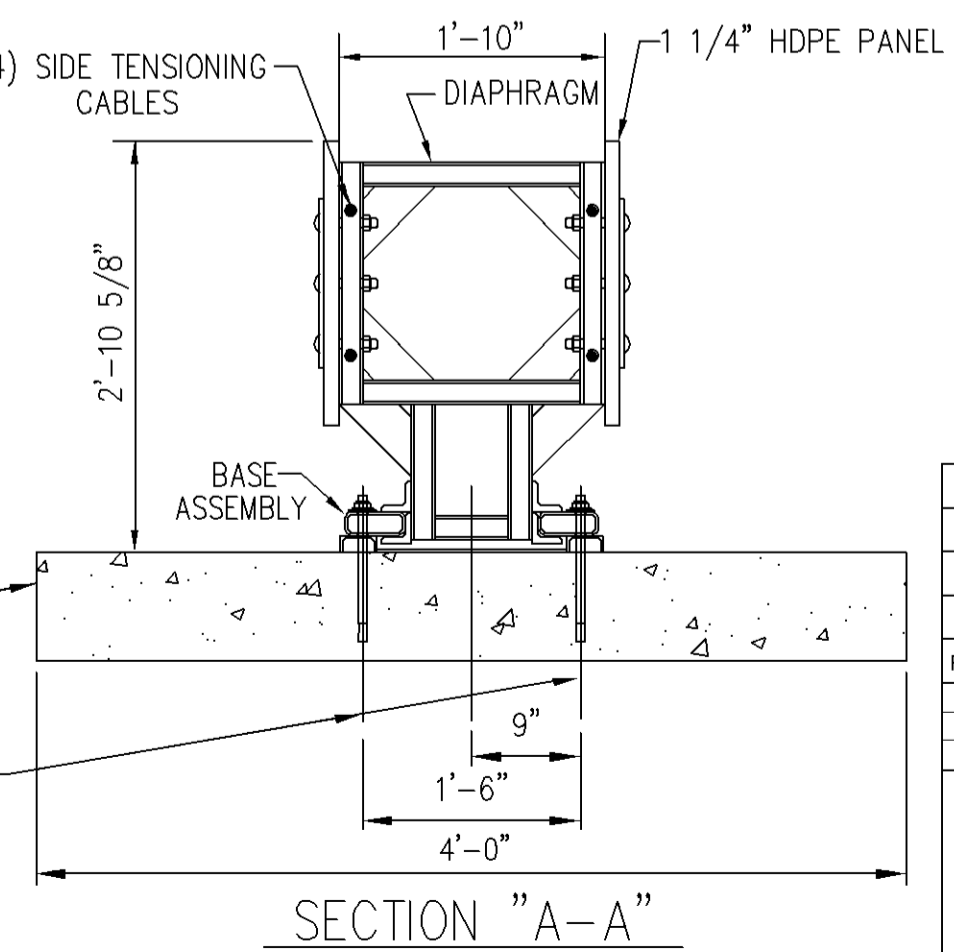
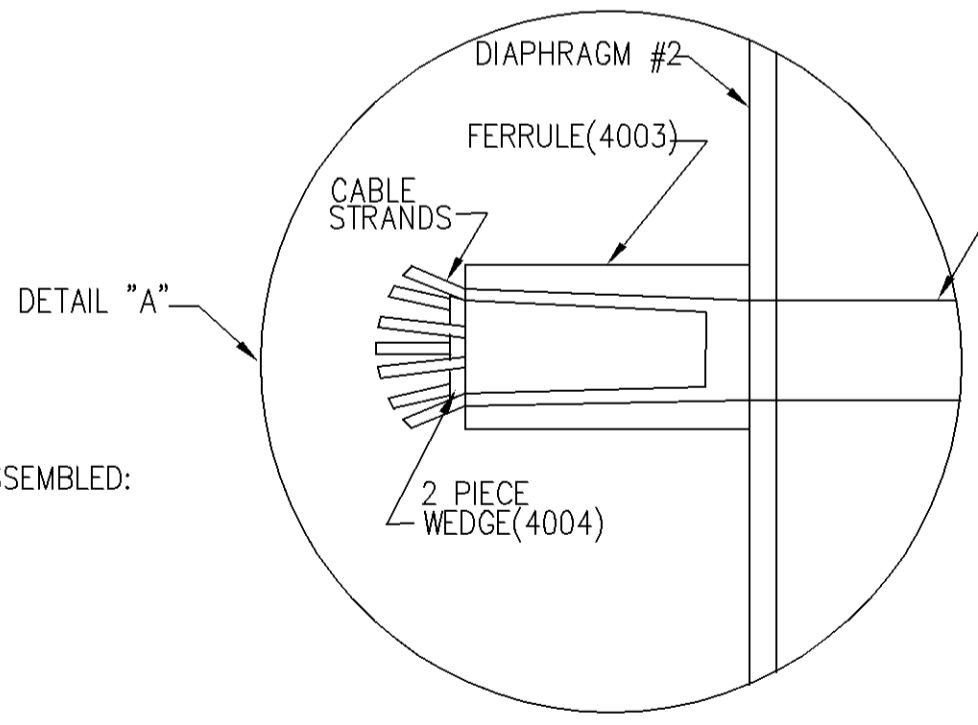
AFTER FINAL ASSEMBLY, CHECK CABLES TO MAKE SURE THEY'RE TAUT. TO ACHIEVE TAUTNESS, TIGHTEN 1" NUTS AT EITHER END OF CABLE.

REMOVE CABLE CLIPS AFTER INSTALLATION FOUR(4) PLACES

AFTER FINAL ASSEMBLY, CHECK CABLES TO MAKE SURE THEY'RE TAUT. TO ACHIEVE TAUTNESS, TIGHTEN 1" NUTS AT DIAPHRAGM #12



- 5/8"φ x 7 1/2" ANCHOR STUD
- 5/8" LOCKWASHER
- 5/8" FLAT WASHER
- 5/8" HEX NUT
- (AT FRONT & REAR BASEPLATES)



**FOUNDATION NOTE:**  
 8" UNREINFORCED CONCRETE PAD IS SHOWN  
 OTHER OPTIONS ARE :  
 a) 6" THICK MINIMUM REINFORCED CONCRETE  
 b) 8" MINIMUM THICK ASPHALT  
 c) FOR ASPHALT OVERLAYS ON CONCRETE, CONTACT TRINITY HIGHWAY PRODUCTS, LLC.

**HEART BILL OF MATERIAL**

PART NUMBER	QTY	DESCRIPTION
26088A	1	HEART UNIT (FULLY ASSEMBLED)
DELINEATOR DECAL OPTIONS		
6668B	4	12" x 12" DELINEATOR DECALS
OR		
6051B	1	DELINEATOR DECAL STRIPE KIT
** ANCHOR HARDWARE (FULL CONCRETE BASE)		
6945G	42	5/8" x 10" ANCHOR STUD
6352G	21	5/8" x 7 1/2" ANCHOR STUD
★ 5448B	8	ADHESIVE HY 150 MAX (CARTRIDGE)
3310G	63	5/8" LOCKWASHER
3300G	63	5/8" WASHER
3361G	63	5/8" HEX NUT
** ANCHOR HARDWARE (ASPHALT BASE)		
6380G	63	5/8" x 18" ALL THR'D ROD
★ 5448B	14	ADHESIVE HY 150 MAX (CARTRIDGE)
3310G	63	5/8" LOCKWASHER
3300G	63	5/8" WASHER
3361G	63	5/8" HEX NUT

EACH HEART UNIT SHIPS 100 % ASSEMBLED:

REF. CAN # 26059G  
70 MPH BASE  
REF. CAN # 26097G  
BACKUP POST

REF. CAN # 26096G  
70 MPH BASE  
REF. CAN # 26098G  
BACKUP POST

**OPTIONAL HEART ANCHOR ITEMS**

PART NUMBER	DESCRIPTION
5449B	ADHESIVE DISPENSER
5450B	MIXER HIT HY150 (NOZZLE)
5208B	FILLER HIT HY150 (FILLER TUBE)
5209B	TE-C+ 11/16-18 (11/16" BIT)

\*\* SEE PRODUCT MANUAL  
 ★ EACH CARTRIDGE INCLUDES 1 EACH: MIXER HY 150 CARTRIDGE (NOZZLE)  
 FILLER HY 150 (FILLER TUBE)

The drawings and the information shown thereon are copyrighted by Trinity Highway Products (2009) and the sole property of Trinity Highway Products. Neither the drawings nor such information is to be used for any purpose other than that for which it was specifically furnished from Trinity Highway Products, LLC., nor is any reproduction authorized without written permission.

1	BT	LH	7/16/09	ADDED CAN NUMBERS	REMARKS
REV.	CHK'D	BY	DATE		
70 M.P.H. HEART CRASH CUSHION					
HYBRID ENERGY ABSORBING REUSABLE TERMINAL					
PLAN, ELEVATION & SECTIONS					
BACKUP POST; UNIDIRECTIONAL; FIELD PLACEMENT					
DRAWN	LH				
CHECKED	BT				
SCALE	N.T.S.				
DATE	04/01/09				
ENG. FILE #	SS1518-01E				
SHT.No.	E1 OF 1				
DRAWING NO.	SS 1518				
REV.	1				

**TRINITY HIGHWAY PRODUCTS, LLC.**  
 2525 STEMMONS FREEWAY,  
 DALLAS, TX 75207