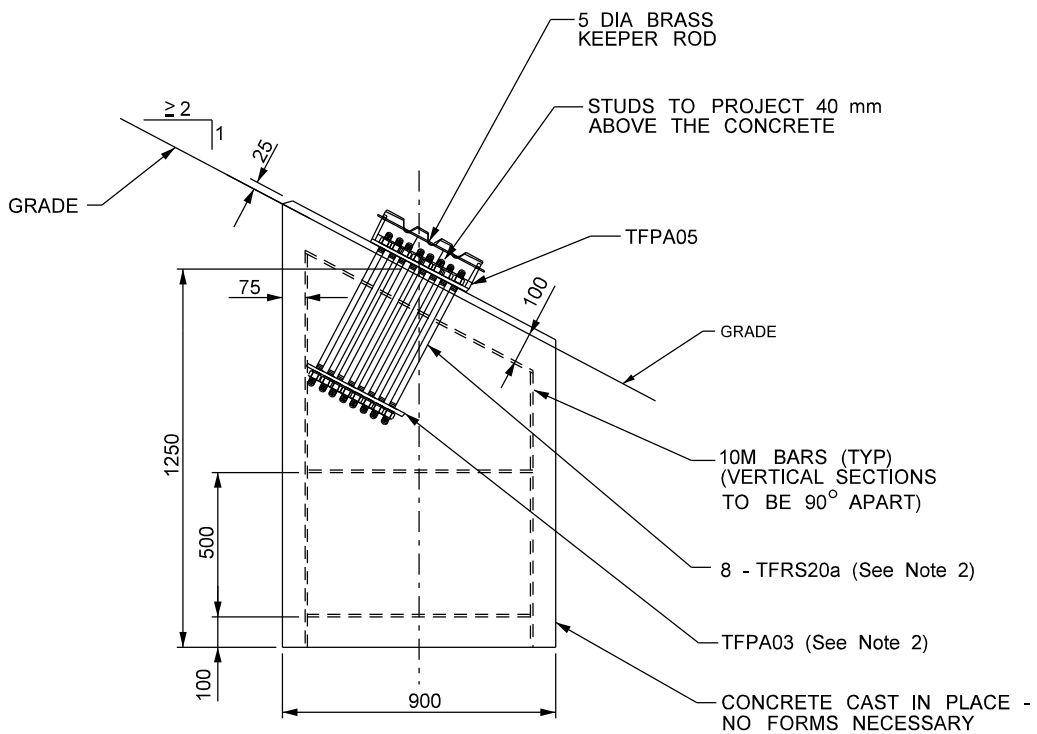


PLAN VIEW 1:25



ELEVATION VIEW 1:25

NOTE:

- 1. ALL SCALES ARE APPROXIMATE
- 2. SEE SPECIFICATION FOR ALTERNATE.
- 3. ALL DIMENSIONS ARE IN MILLIMETRES.

REVISIONS		
DATE	DESCRIPTION	BY
2013-12	ADDED DIMENSIONS REVISED PARTS	HPL

Manitoba 
**Infrastructure and
 Transportation**
 TRAFFIC ENGINEERING



**CABLE GUARDRAIL
 INTERMEDIATE ANCHOR
 ASSEMBLY**

SHEET NO	1 OF 1
DATE:	2013 - 12
DRAWN:	D.C.

TPOF05