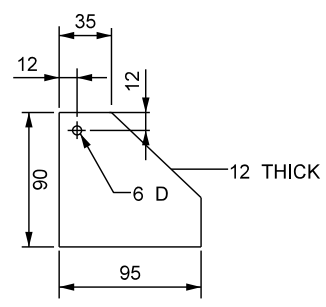
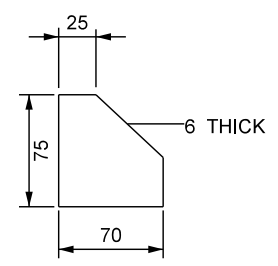


**PLAN VIEW 1:5**

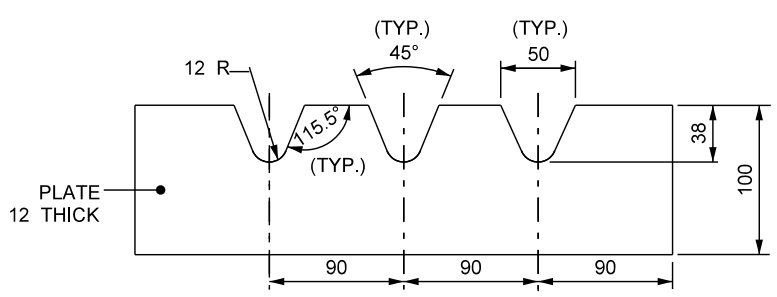
5 DIA BRASS KEEPER ROD  
8-25 DIA HOLES FOR ANCHOR RODS



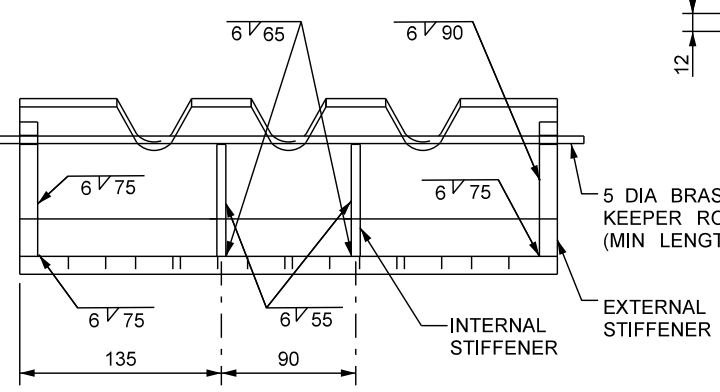
**EXTERNAL STIFFENER 1:5**



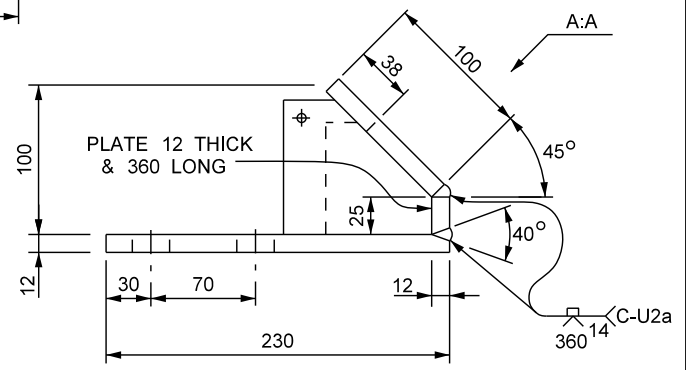
**INTERNAL STIFFENER 1:5**



**TRUE PLAN-A:A 1:5**



**FRONT VIEW 1:5**



**SECTION VIEW 1:5**

**NOTES:**

1. ALL SCALES ARE APPROXIMATE.
2. ALL DIMENSIONS ARE IN MILLIMETRES.
3. THE ORIGINAL SEALED & SIGNED DRAWING IS IN TRAFFIC ENGINEERING.

REVISIONS		
DATE	DESCRIPTION	BY
10-10	REVISIONS	DC
20-01	REVISED DIMENSIONS	LB



**CABLE GUARDRAIL ANCHOR BRACKET**

SHEET NO:	1 OF 1
DATE:	2006 - 11
DRAWN:	A.G.

**TFFA02**