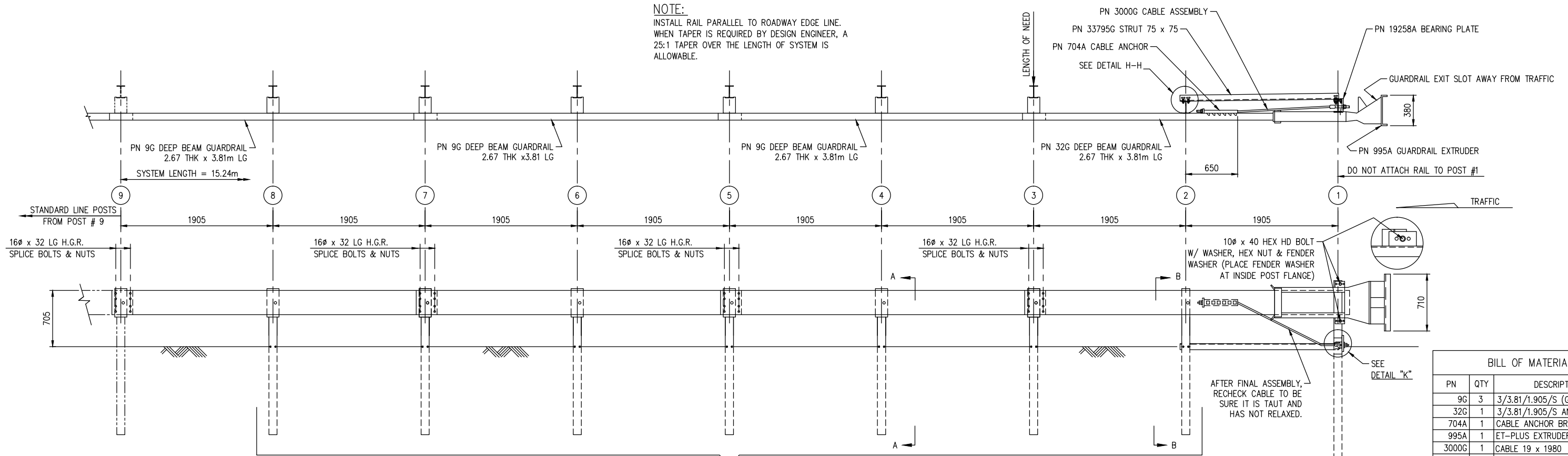
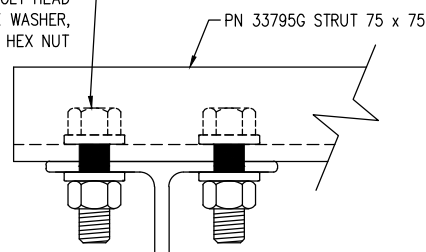


NOTE:
 INSTALL RAIL PARALLEL TO ROADWAY EDGE LINE.
 WHEN TAPER IS REQUIRED BY DESIGN ENGINEER, A
 25:1 TAPER OVER THE LENGTH OF SYSTEM IS
 ALLOWABLE.

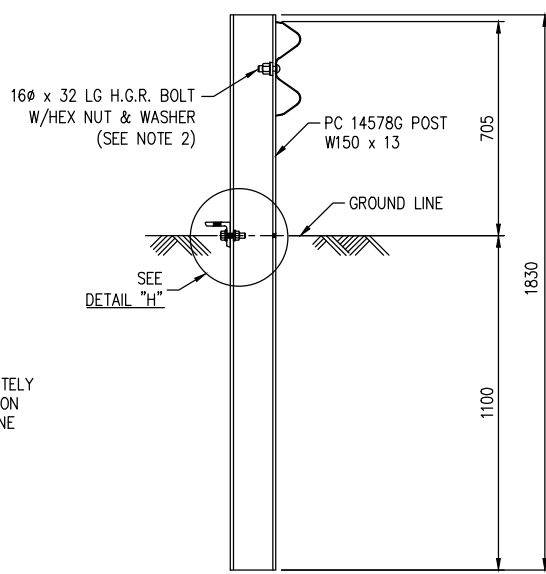


- NOTES:**
- 1.) DO NOT ATTACH GUARDRAIL TO POST # 1.
 - 2.) THE 16Ø FLAT WASHER IS USED UNDER THE NUT, BEHIND THE POST ONLY. NO WASHER IS USED AT THE RAIL.
 - 3.) MANUFACTURER SUGGESTS CUSTOMER TO PROVIDE REFLECTORIZATION OF TERMINAL.
 - 4.) PLASTIC OFFSET BLOCKS (ROUTED) ARE ACCEPTABLE ALTERNATES.

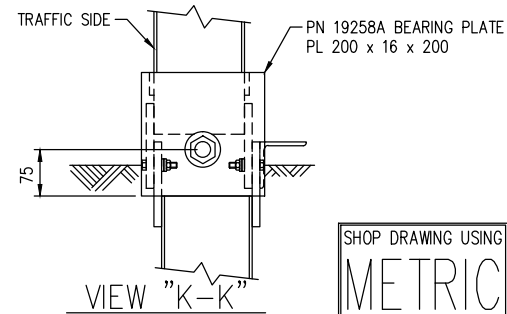
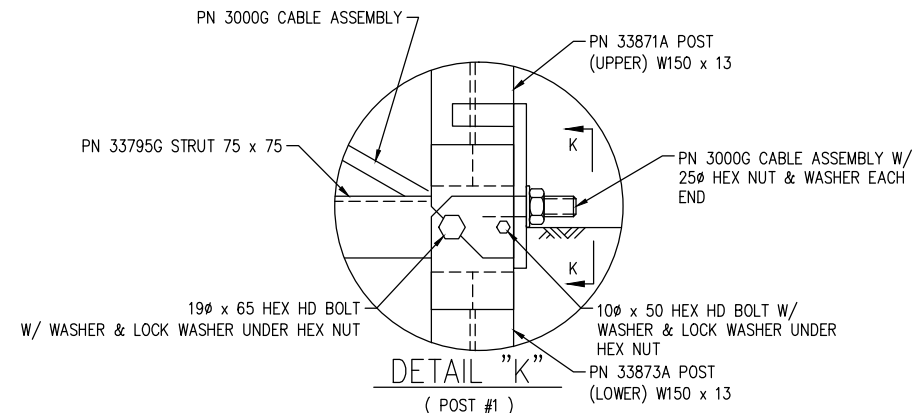
11 Ø x 38 (2) HEX BOLTS W/ (1) FLAT WASHER UNDER BOLT HEAD OVER SLOT, (1) LOCK WASHER, (1) HEX NUT



DETAIL "H-H"
 (AT POST #2)



SECTION "B-B"
 (POST #2)



SHOP DRAWING USING
METRIC
 DIMENSIONS

ALL DIMENSIONS ARE mm UNLESS NOTED

The drawings and the information shown thereon are copyrighted by Trinity Highway Products (2013) and the sole property of Trinity Highway Products. Neither the drawings nor such information is to be used for any purpose other than that which it was specifically furnished from Trinity Highway Products LLC, nor is any reproduction authorized without written permission.

BILL OF MATERIAL

PN	QTY	DESCRIPTION
9G	3	3/3.81/1.905/S (GUARDRAIL)
32G	1	3/3.81/1.905/S ANC(GUARDRAIL)
704A	1	CABLE ANCHOR BRACKET
995A	1	ET-PLUS EXTRUDER
3000G	1	CABLE 19 x 1980
3300G	7	16 Ø x 255 POST BOLT
3340G	39	16 HEX NUT
3360G	33	16 Ø x 32 SPLICE BOLT
3500G	6	16 Ø x 255 POST BOLT
3701G	2	19 FLAT WASHER
3704G	2	19 HEX NUT
3717G	2	19 Ø x 65 HEX HD BOLT
3900G	2	25 FLAT WASHER
3910G	2	25 HEX NUT
4076B	6	WD BLOCK 355 X 150 X 200 DR
4254G	4	10 FLAT WASHER
4255G	2	10 FENDER WASHER (40 OD)
4258G	2	10 LOCKWASHER
4261G	2	10 Ø x 40 HEX HD BOLT
4389G	2	11 FLAT WASHER
4390G	2	11 Ø x 38 HEX HD BOLT
4393G	2	11 LOCK WASHER
4396G	2	11 HEX NUT
4699G	2	19 LOCK WASHER
6321G	2	10 Ø x 50 HEX HD BOLT
6405G	4	10 HEX NUT
14578G	7	POST SYT #2-#8
19258A	1	16 x 200 x 200 BEARING PLATE
33795G	1	ANGLE STRUT (ET/SYTP/HBA)
33871A	1	POST ET PLUS HBA #1 TOP
33873A	1	POST ET PLUS HBA #1 BOTTOM

REV.	CHK'D	BY	DATE	REMARKS

ET-PLUS

ET-PLUS - 15.24m
 WITH 3.81m PANELS, 7 SYT POSTS
 & 1 HBA POST
 PLAN, ELEVATION & SECTION

DRAWN L.H.
 CHECKED BT
 SCALE N.T.S.
 DATE 04/05/13
 ENG. FILE # SS378-01M
 SHT.No. E1 OF 1
 DRAWING NO. SS-378
 REV. 0

TRINITY HIGHWAY PRODUCTS, LLC.
 2525 STEMMONS FREEWAY
 DALLAS, TX 75207

SECTION "A-A"
 (TYP @ POSTS # 3 THRU # 8)