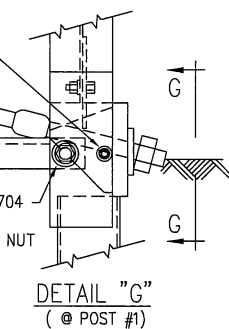


BILL OF MATERIAL		
PC	QTY	DESCRIPTION
3G	1	12/12"/BACKUP (GUARDRAIL)
9G	1	12/12"/6/3"/S (GUARDRAIL)
30G	1	12/12"/6/S SRT-1 (GUARDRAIL)
39G	1	12/12"/6/S SRT-2 (GUARDRAIL)
700A	1	CABLE ANCHOR BRACKET
907G	1	12/BUFFER/ROLLED (TERMINAL)
3000G	1	3/4 x 6'6 CABLE
3300G	14	5/8" WASHER
3340G	58	5/8" HEX NUT
3360G	44	5/8" x 1 1/4" SPLICE BOLT
3380G	8	5/8" x 1 1/2" HEX HD BOLT
3400G	2	5/8" x 2" POST BOLT
3580G	4	5/8" x 18" POST BOLT
3701G	10	3/4" WASHER
3704G	4	3/4" HEX NUT
3718G	4	3/4" x 3" HEX HD BOLT (A325)
3900G	1	1" WASHER
3910G	2	1" HEX NUT
4063B	4	6'0 POST 6 x 8
4075B	4	14" BLOCK 6 x 8
4254G	5	3/8" WASHER
4258G	4	3/8" LOCKWASHER
4261G	1	3/8" x 1 1/2" HEX HD BOLT (GR 5)
4699G	4	3/4" LOCKWASHER
6321G	4	3/8" x 2" HEX HD BOLT (GR 5)
6405G	5	3/8" HEX NUT
9960G	4	SLOT GUARD
9961G	1	3/8 x 3 x 4 PLATE WASHER
33876A	1	HBA POST 1 TOP (W6 x 8.5)
33877A	1	HBA POST 2 TOP (W6 x 8.5)
33878A	2	HBA POST 1 & 2 BOT (TS 6 x 4)
33879G	2	ANGLE STRUT 2 x 2 x 3/8
33880G	1	1 x 6 x 8 BEARING PLATE
33881G	1	CABLE WEB PL 4 x 1/4

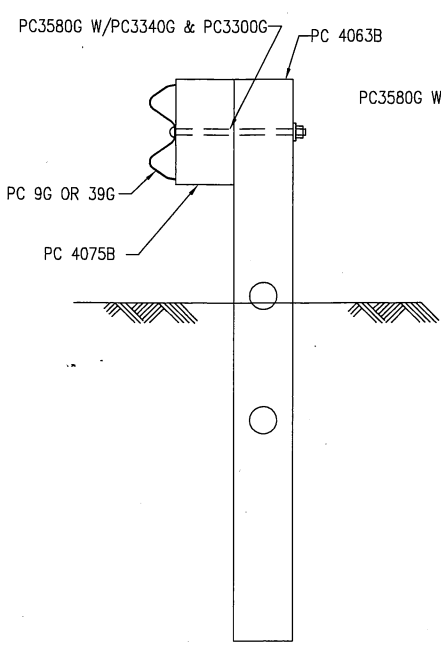
AFTER FINAL ASSEMBLY, RECHECK CABLE TO BE SURE IT IS TAUT AND HAS NOT RELAXED.

PC6321 W/ PC4258, PC4254 & PC6405
INSTALL WITH HEAD ON STRUT SIDE
W/WASHER & LOCKWASHER UNDER HEX NUT

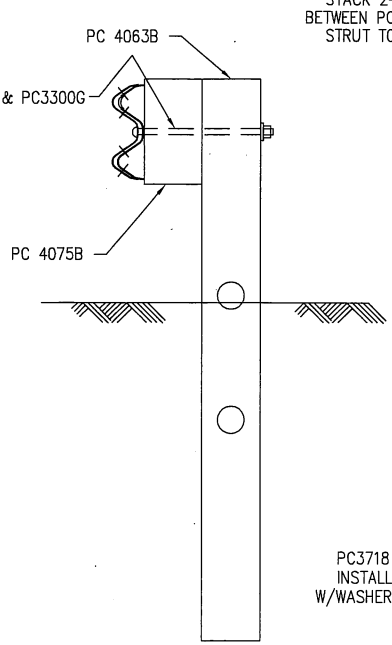
PC3718 W/ PC3701, PC4699 & PC3704
INSTALL WITH HEAD ON STRUT SIDE
W/WASHER & LOCKWASHER UNDER HEX NUT



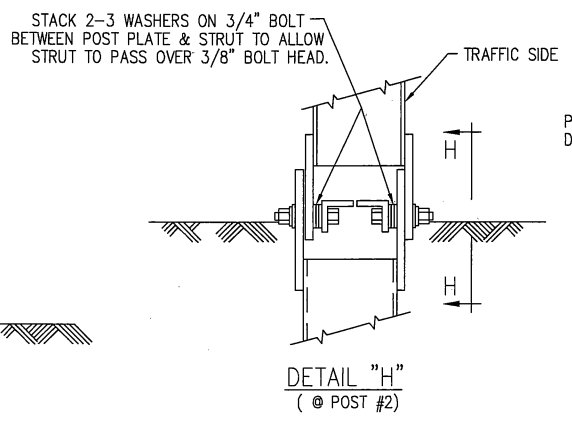
DETAIL "G"
(@ POST #1)



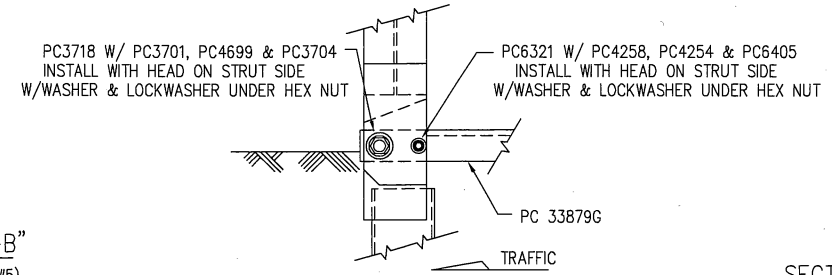
SECTION "C-C"
(@ POST #4 & #6)



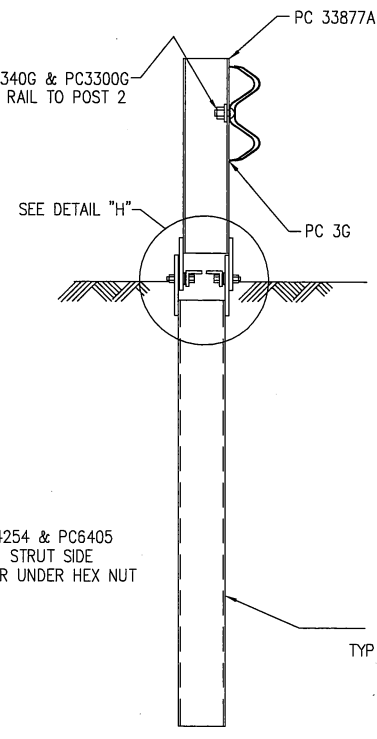
SECTION "B-B"
(@ POSTS #3 & #5)



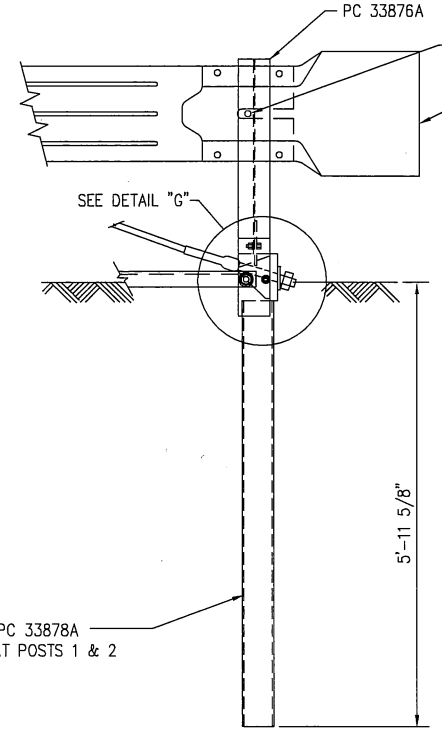
DETAIL "H"
(@ POST #2)



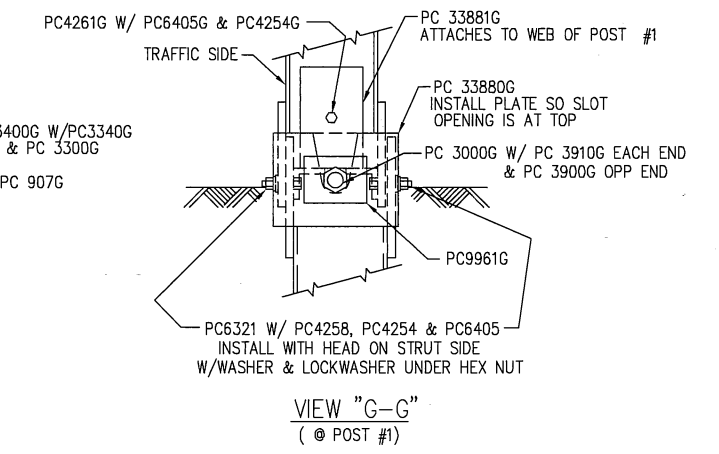
VIEW "H-H"
(@ POST #2)



SECTION "A-A"
(@ POST #2)



ENLARGED VIEW @ POST #1



VIEW "G-G"
(@ POST #1)

REV.	CHK'D	BY	DATE	REMARKS
3	BT	4-4-01		REVISED DETAIL "G"
2	BT	2-8-01		REMOVED PC5156, 5355 & 6718 REPLACED WITH PC 3718 & 6321
1	BT	1-12-01		ADDED NOTE AT POST 7, REVISED BILL OF MATERIAL

SRT-350

SLOTTED RAIL TERMINAL SRT-350
ERECTION DETAILS
(12.5' PANELS, HBA POSTS)

TRINITY INDUSTRIES, INC.
HIGHWAY SAFETY PRODUCTS
2525 STEMMONS FREEWAY, DALLAS, TX 75207

DRAWN	B.T.
CHECKED	
APPROVED	
DATE	12-12-00
ENG. FILE #	SS351-01E
SHT.No.	E1 OF 1
DRAWING NO.	SS 351
REV.	3

This drawing and the information shown thereon is the sole property of TRINITY INDUSTRIES, INC. Neither the drawing nor such information is to be used for any purpose other than that for which it was specifically furnished by TRINITY INDUSTRIES, INC., nor is any reproduction authorized without written permission.